

Cassette/Blackout Roller Blinds

Decomatic Cassette Roller Blinds give you the look that you want, harmonizing with individual style and design.

Decomatic Cassette Roller Blinds give excellent privacy, and may be positioned at any point in their drop to allow light control.

Do you have a home theatre? Integrate blackout blinds with your system. Adding a cassette and extruded side guides to a chain or electric motor operation blind minimizes the amount of light spilling around the fabric. Also excellent for shift workers or young children to time shift darkness.

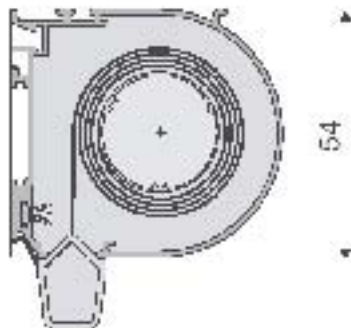
Choose from square or round cassettes. The square cassette may be top fixed for minimum light or if you need to face fix on your architrave or wall then the round cassette is the most appropriate for you.

When fully open **Decomatic Cassette Roller Blinds** offer maximum visibility.

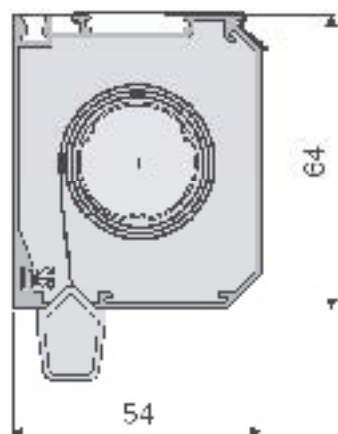
Decomatic Cassette Roller Blinds have a clean functional look because of their neat inconspicuous hardware and their lack of side hems.



Cassette Roller Blind



59



54

Decomatic Cassette

Roller Blinds may be finished with a neat metal bottom rail or a traditional trim.

If you have a training room, link all electric motors to one switch to operate together. Choose from a wide range of fabrics to give the final decorator options, "Blackout", translucent or even see through screens to control the light but keep the view.

